



Integration Note

Manufacturer:	ELAN Home Systems
Model Number(s):	V8
Core Module Version:	4.0.1587 or newer
Document Revision Date:	1/14/2013

OVERVIEW AND SUPPORTED FEATURES

The ELAN V8 is an 8 X 8 Composite Video Controller which switches eight composite sources to any of eight composite outputs and can connect to the **g!** software with a RS-232 serial connection to allow reliable 2-way communication. Up to four V8s can be stacked for a total of 32 zone outputs from eight source inputs. The V8 can also be used to switch digital coaxial audio.

THE FOLLOWING FEATURES ARE SUPPORTED:

Serial Pass Through: The **V8** can be connected to the RS-232 output on an **ELAN S12** or **S8.6**, thus allowing the devices to share a single COM Port on the **g!** system controller.

Multiple Chassis Configuration: Up to four V8s can be linked together to provide 32 zone outputs from eight source inputs.

THE FOLLOWING FEATURES ARE NOT SUPPORTED:

Any feature not specifically noted as supported should be assumed to be unsupported.
--

INSTALLATION OVERVIEW

1. During the rough-in phase, install wires for the sources, amplifiers and displays for each zone.
2. Also during the rough-in phase, run a Cat5 wire from the location of the switch back to the Network Assembly of the **g!** system for RS-232 communications. Refer to the *RS-232 Connection Options Integration Note* for other options.
3. Install the switch, the sources, amplifier, displays and speakers.
4. If using Core Module **version 4.0**, use VIA!Tools to configure the V883/V85 for proper zone switching.
5. Confirm proper audio and video switching as a stand alone system.
6. Connect the **g!** system to the switch electrically. See the wiring diagrams for more information.
7. Configure the **g!** system for the switch and confirm communication between the switch and the **g!** system controller. See **g! Configuration Details**.
8. Test the system by changing sources in a zone to confirm the correct source plays. Test source control for any sources that are to be controlled from the **g!** interface.

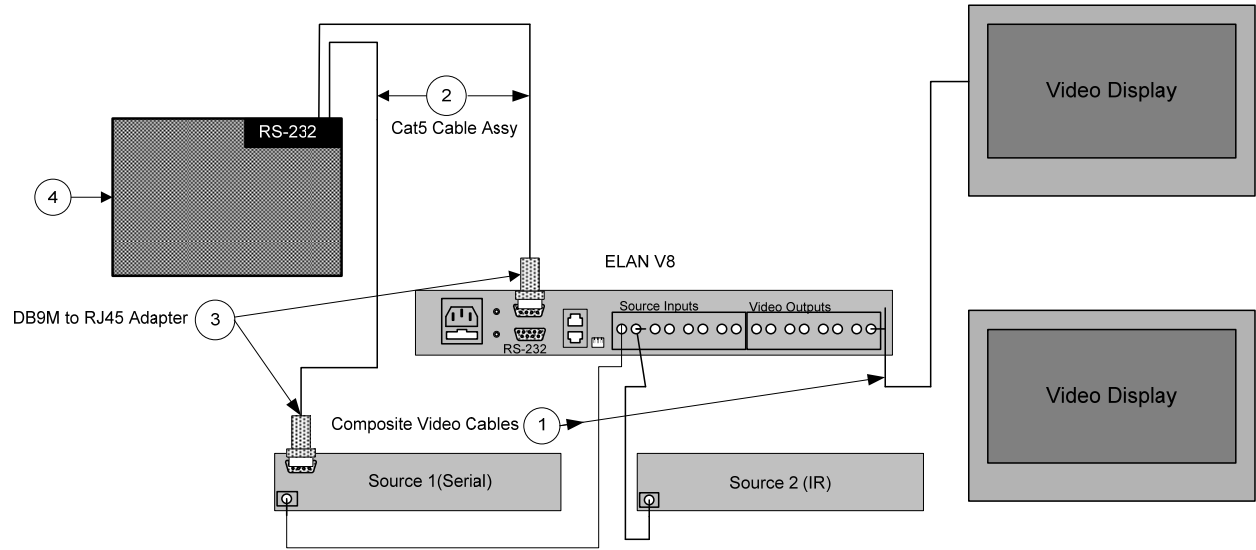
ELAN Home Systems • 1690 Corporate Circle • Petaluma, CA 94954 USA

tech support: 800.622.3526 • main: 760.710.0990 • sales: 877.289.3526 • email: elan@elanhomesystems.com

©2013 ELAN Home Systems. All rights reserved. ELAN and g! are trademarks of ELAN Home Systems. All other trademarks are the property of their respective owners.

CONNECTION DIAGRAMS

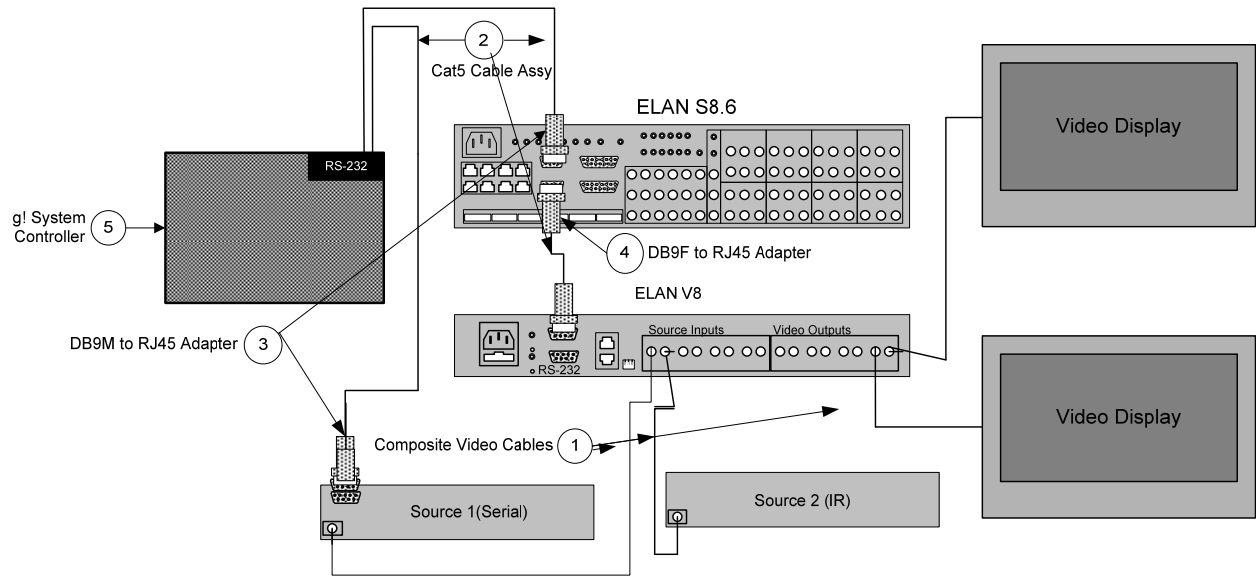
OPTION 1: STAND ALONE



BILL OF MATERIALS

#	Device	Manufacturer	Part Number	Protocol	Connector Type	Notes
1	Composite Video Cable	N/A		Analog	RCA X RCA	
2	Cat5 Cable Assy.	Installer	N/A	RS-485	RJ-45 Male X RJ-45 Male	
3	DB9M to RJ45 Adapter	ELAN	HA-CB-307	RS-232	DB-9 Male X RJ-45 Female	
4	g! System Controller	ELAN	Various (e.g. HC 12)	RS-232	DB9 Male / USB / RJ-45	

OPTION 2: S8.6/S12 SLAVE



BILL OF MATERIALS

#	Device	Manufacturer	Part Number	Protocol	Connector Type	Notes
1	Composite Video Cable	N/A		Analog	RCA X RCA	
2	Cat5 Cable Assy.	Installer	N/A	RS-485	RJ-45 Male X RJ-45 Male	
3	DB9M to RJ45 Adapter	ELAN	HA-CB-307	RS-232	DB-9 Male X RJ-45 Female	
4	DB9F to RJ-45 Adapter	ELAN	HA-CB-308	RS-232	DB-9 Female X RJ-45 Female	
5	g! System Controller	ELAN	Various (e.g. HC 12)	RS-232	DB9 Male / USB / RJ-45	

COMMON MISTAKES

1. Setting up multiple communication devices when using serial pass-through from another piece of ELAN gear (such as S12, S8.6). If using serial pass-through, only one Communication Device is required.