

DSC2000

COLOR CCTV CAMERA/DOOR STATION

PRE-WIRE AND INSTALLATION INSTRUCTIONS

The DSC2000 Color CCTV Camera/Door Station provides a significant upgrade in performance at a greatly reduced price as compared a separate door speaker and camera station configuration.

The DSC2000 features a new color camera enclosed in a die-cast aluminum housing. The camera can be rotated 90 degrees allowing the door station to be mounted horizontally or vertically. A flexible mounting bracket allows the dealer to optimally adjust the viewing angle.

The camera's high-resolution, low lux 1/3" CCD element provides clear images even in low light conditions. Built-in automatic iris control ensures an optimal picture on bright, sunny days without "blooming" or "washouts". The camera's fixed focal-length lens has a horizontal viewing angle of 120 degrees with no "fish eye" distortion.

The DSC2000 also features an extremely sensitive microphone and new slim profile door speaker for full-duplex communication from any touchtone phone in the house.

PREWIRING AND INSTALLING THE DSC2000

The NEW DSC2000 features a new design which separates the doorbell button from the door station assembly. This enables the doorbell to be installed in a conventional doorbell location, and the door station mounted higher up for optimum viewing.

Additionally, ELAN has provided a matching Brass, Chrome, or Ivory doorbell button with each DSC2000. If desired, 'off-the-shelf' doorbell buttons from Broan® (models C832 & RC831) or Expressions™ (model 213) may be used.

For installations prewired for the original ELAN combination doorbell/doorstation, ELAN is offering a *limited quantity* of DSC2000 units with the doorbell button built into the door station assembly.

Please be advised that all future ELAN door station pre-wires should be wired for remote placement of the doorbell button. **NOTE: BE SURE TO PULL THE DOORBELL WIRE THROUGH THE BACK OF THE DBK1000 DOORSTATION ROUGH-IN BOX.**

DSC2000 SPECIFICATIONS:

Imaging Element.....	CCD
Auto Iris.....	1/50 - 1/10000 sec.
Lux.....	0.5 minimum
Resolution.....	380 TV lines
Horizontal Viewing angle.....	120 degrees
Vertical Viewing angle.....	100 degrees
Video Output.....	1V peak-to-peak
Video Output Impedance.....	75 Ohms
Power Requirements.....	12VDC @ 90mA

Speaker.....	8 Ohm, closed back polyester cone
Microphone.....	High-gain omni-directional condenser
Door Latch Relay.....	12VDC coil, 2A contact rating
Interface.....	Removable connectors
Wiring Requirements (<75').....	Bundled VIA! cable containing a RG59, CAT5 & 18/2.
Wiring Requirements (>75').....	Shielded 4 twisted pair w/ drain, RG59 or RG6, and 18/2 (for Power)

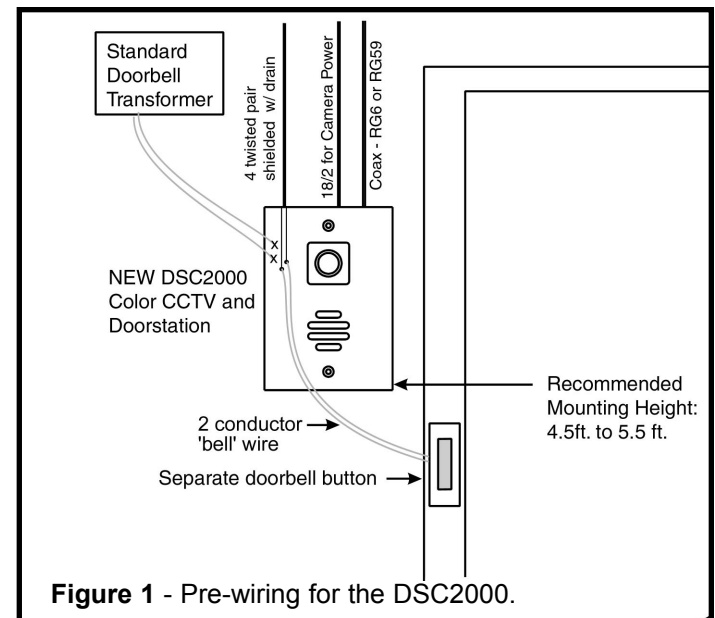
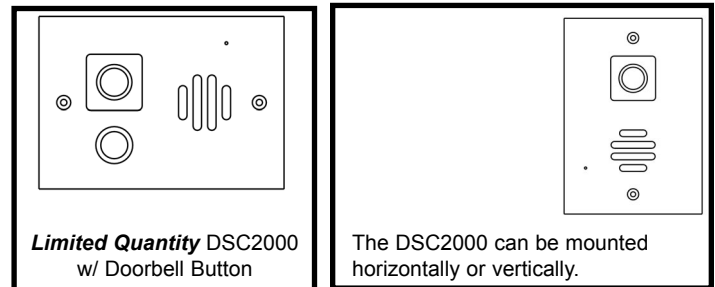


Figure 1 - Pre-wiring for the DSC2000.

HORIZONTALLY OR VERTICALLY MOUNTING THE DSC2000

In order to install the DSC2000 in the DBK1000, the DSC2000's Trim Brackets must first be mounted to the front of the DBK1000 as shown. See Figure 2.

The DSC2000 ships ready for horizontal installation. Should you choose to mount the DSC2000 vertically, the DBK1000 must also be mounted vertically and the camera module must be rotated 90 degrees.

NOTE: Regardless of the DSC2000's orientation, always make sure the wire protruding from the rear of the camera module is located in the UPPER-RIGHT corner when viewed from the rear! See Figure 3

Once the camera module has been repositioned, be sure to tighten the bracket screw, securing the camera in the desired position.

ADJUSTING THE VIEWING ANGLE

The camera's viewing angle may also be adjusted +/- 15 degrees by carefully twisting the Camera Bracket.

POWERING THE DSC2000 FROM A REMOTE LOCATION.

Most installations will require the DSC2000 be powered from a remote location (i.e. the main equipment location).

To accomplish this, remove the power connector from the power supply (included) and the DSC2000 as shown in Figure 4. Strip back the insulation on the red and black camera power wires and terminate them to the J-Box wires - be sure to maintain proper polarity on these and the remotely located power supply connections. **NOTE: DO NOT remove the DSC2000's yellow (video) RCA jack connector!**

An "F-to-RCA" barrel connector is included to facilitate the connection of RG-6 or RG-59 coax cable to the DSC2000's RCA composite video connector.

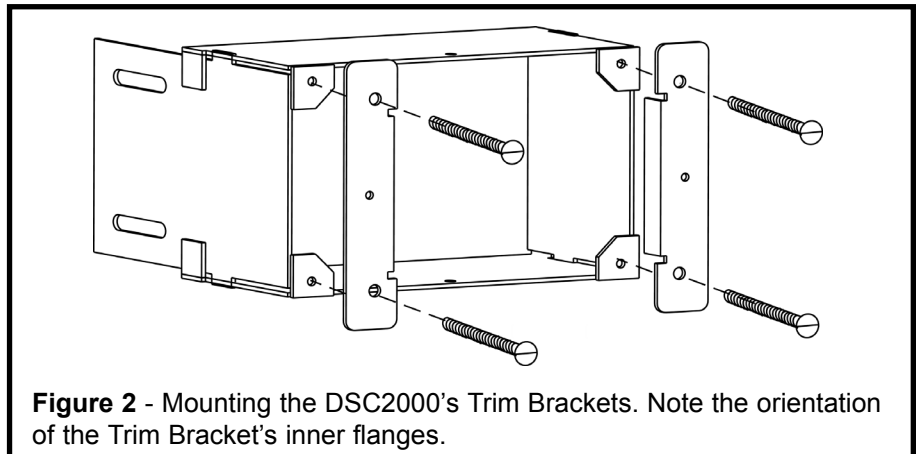
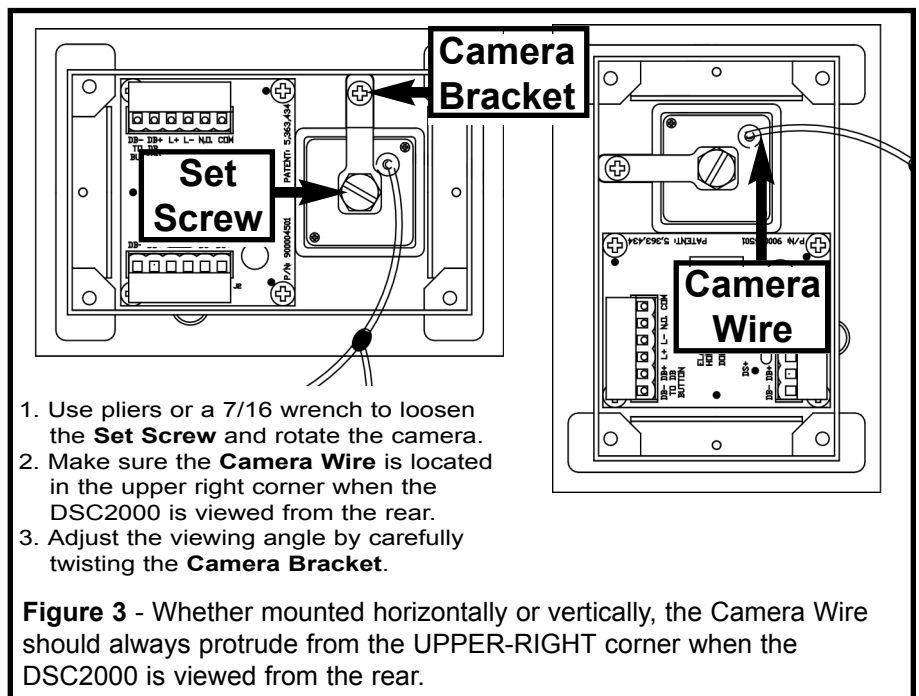


Figure 2 - Mounting the DSC2000's Trim Brackets. Note the orientation of the Trim Bracket's inner flanges.



1. Use pliers or a 7/16 wrench to loosen the **Set Screw** and rotate the camera.
2. Make sure the **Camera Wire** is located in the upper right corner when the DSC2000 is viewed from the rear.
3. Adjust the viewing angle by carefully twisting the **Camera Bracket**.

Figure 3 - Whether mounted horizontally or vertically, the Camera Wire should always protrude from the UPPER-RIGHT corner when the DSC2000 is viewed from the rear.

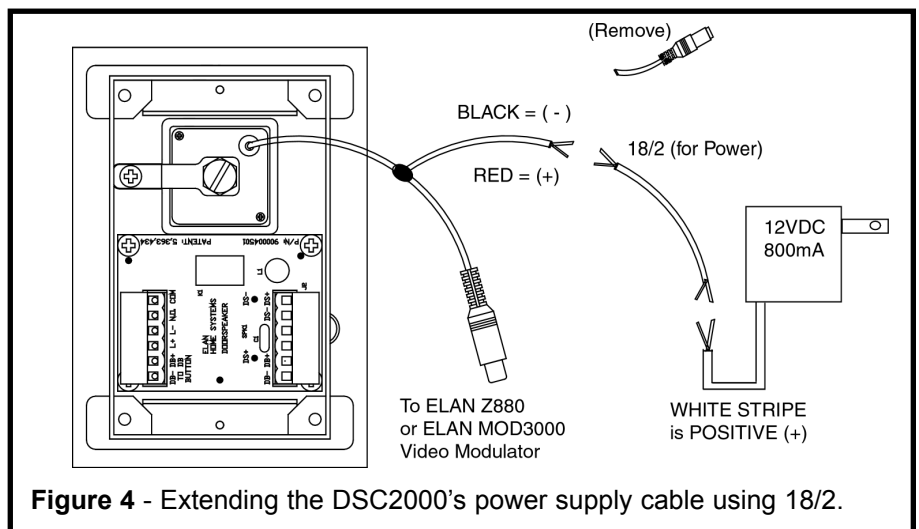
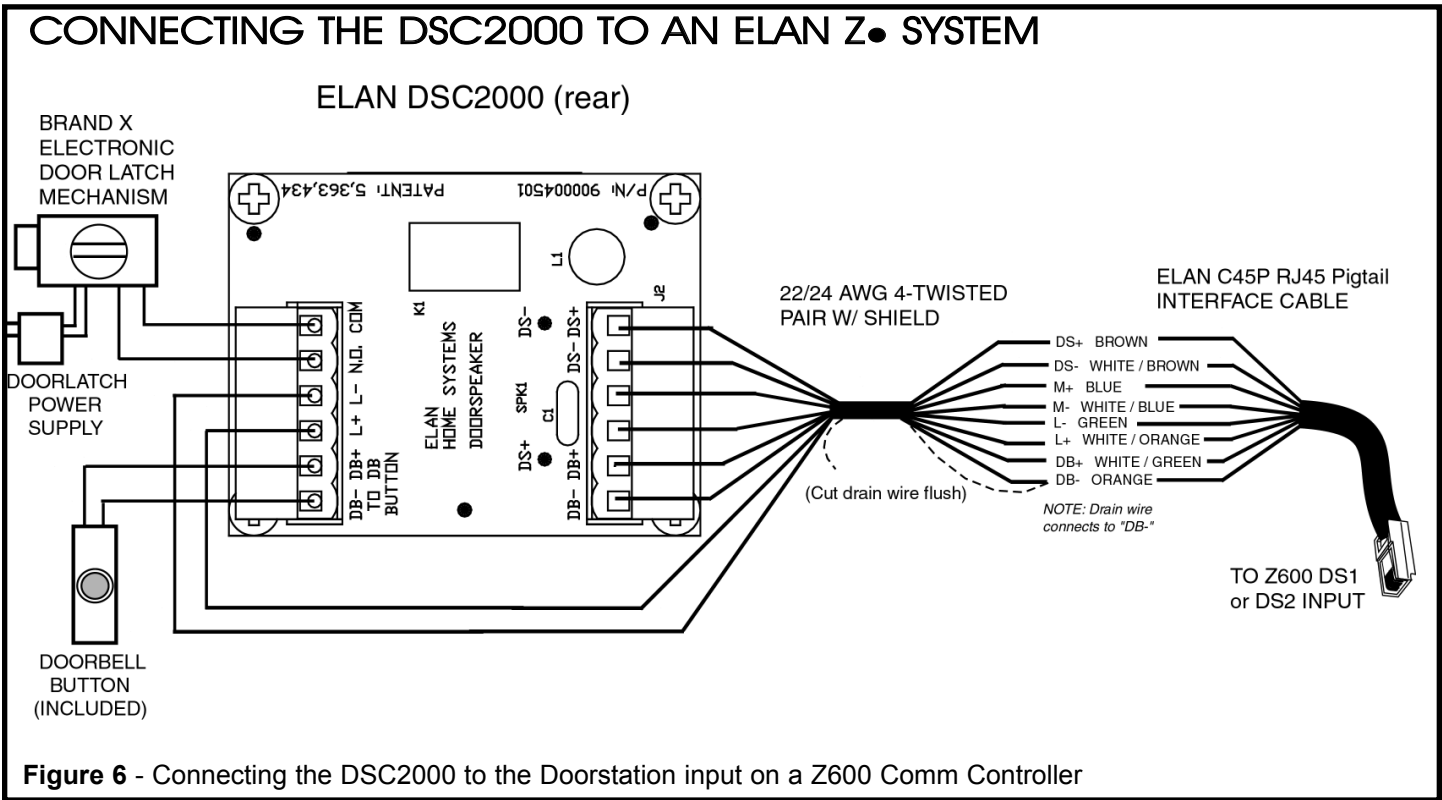
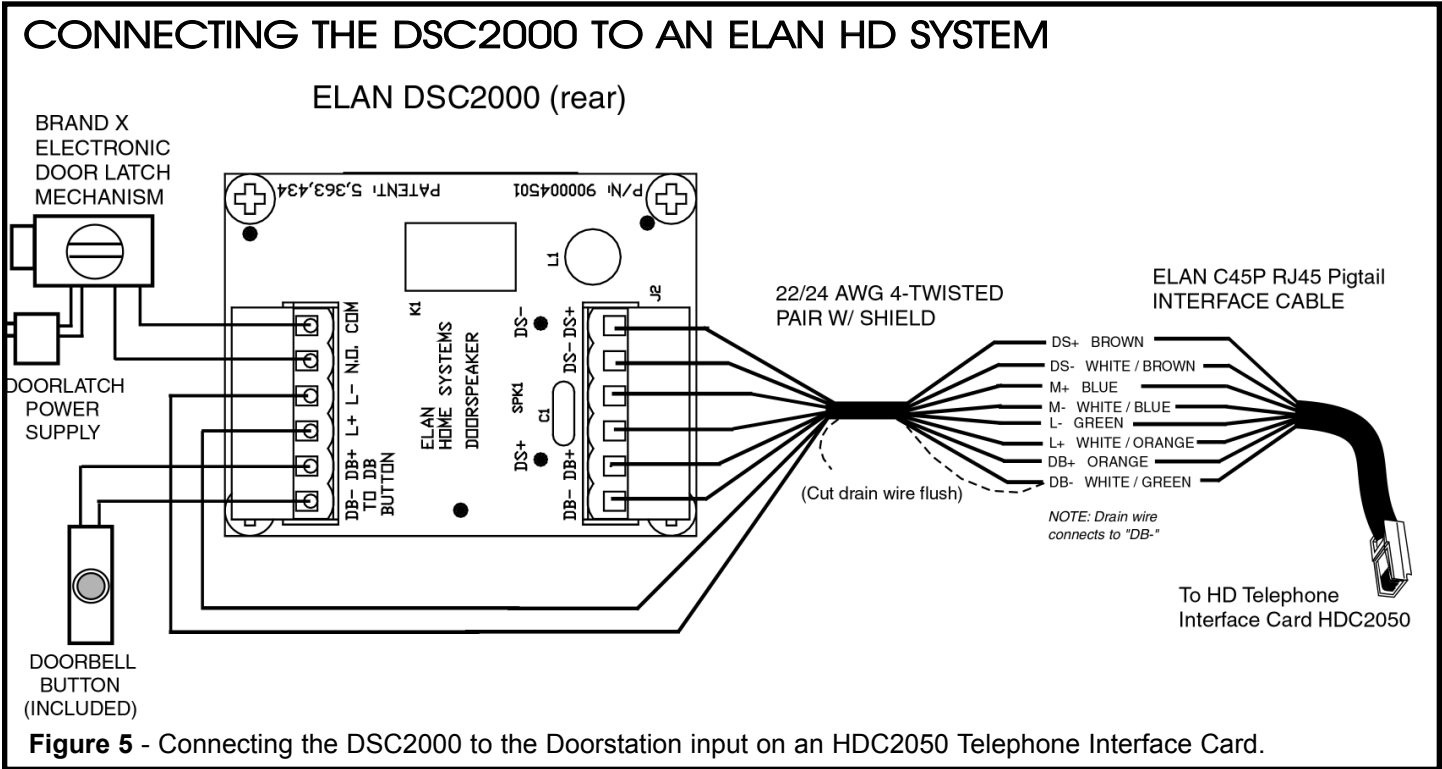


Figure 4 - Extending the DSC2000's power supply cable using 18/2.



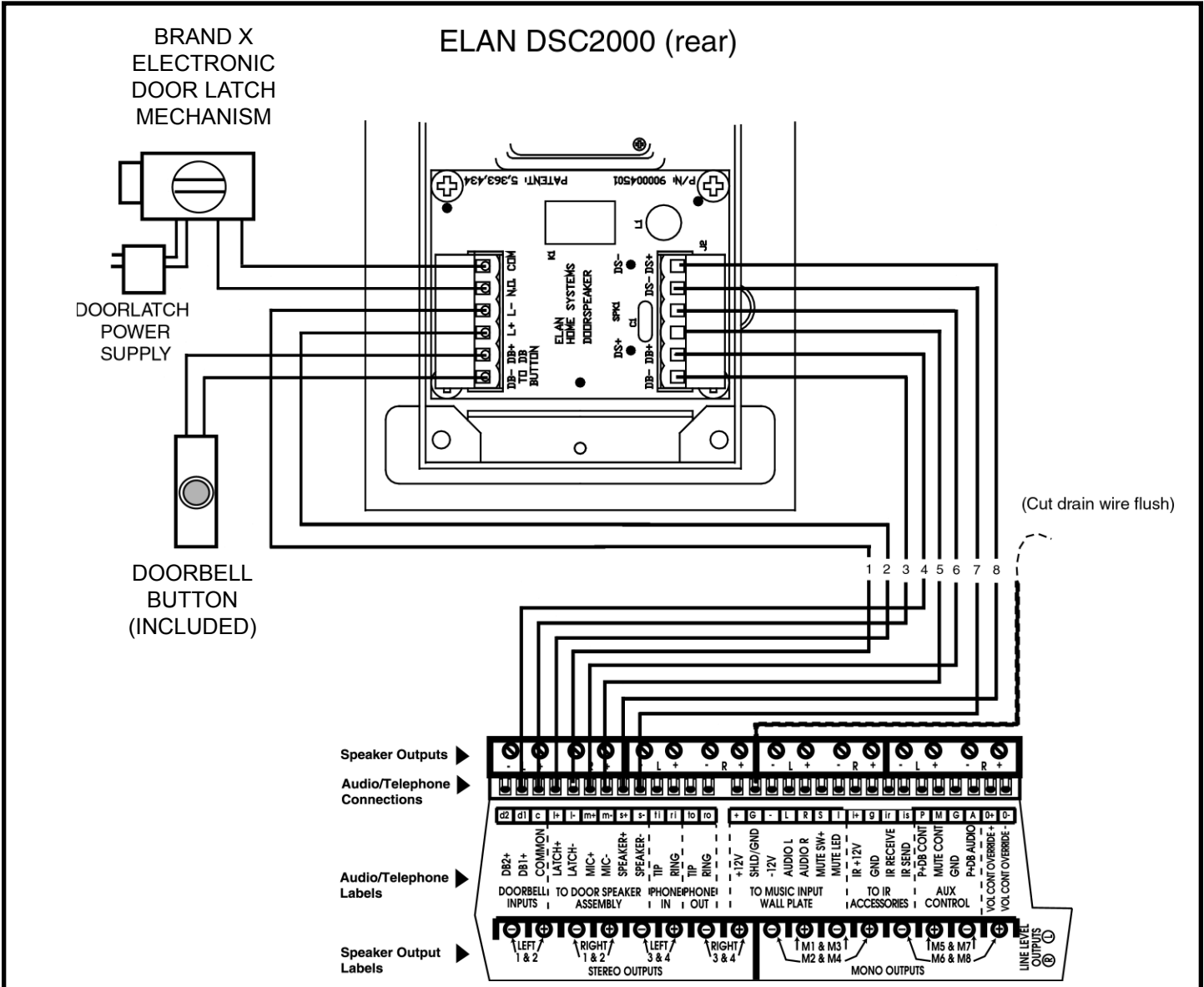


Figure 7 - Connecting the DSC2000 to an AV/EC AV-L2 amplifier. **NOTE:** 22 or 24 AWG 4 twisted pair wire with shield is utilized so the color codes are not called out. Be sure to wire carefully as shown!

Limited Warranty

ELAN HOME SYSTEMS, L.L.C. ("ELAN") warrants equipment manufactured by it to be free from defects in materials and workmanship for one (1) year from the date of purchase, with the exception of speakers and SVC AND MVC Series volume controls, which have a five (5) year warranty, V•Series volume controls, which have a ten (10) year warranty and the Z• Amplifiers, which have a two (2) year warranty.

If within the applicable warranty period above purchaser discovers such item was not as warranted above and promptly notifies ELAN in writing, ELAN shall repair or replace the items at the company's option. This warranty shall not apply (a) to equipment not manufactured by ELAN, (b) to equipment which shall have been installed by other than an authorized ELAN installer, (c) to installed equipment which is not installed to ELAN's specifications, (d) to equipment which shall have been repaired or altered by others than ELAN, (e) to equipment which shall have been subjected to negligence, accident, or damage by circumstances beyond ELAN's control, including, but not limited to, lightning, flood, electrical surge, tornado, earthquake, or any other catastrophic events beyond ELAN's control, or to improper operation, maintenance or storage, or to other than normal use of service.

With respect to equipment sold by, but not manufactured by ELAN, the warranty obligations of ELAN shall in all respects conform and be limited to the warranty actually extended to ELAN by its supplier. The foregoing warranties do not cover reimbursement for labor, transportation, removal, installation, or other expenses which may be incurred in connection with repair or replacement.